

UNIVERSAL
ACCESSORIES

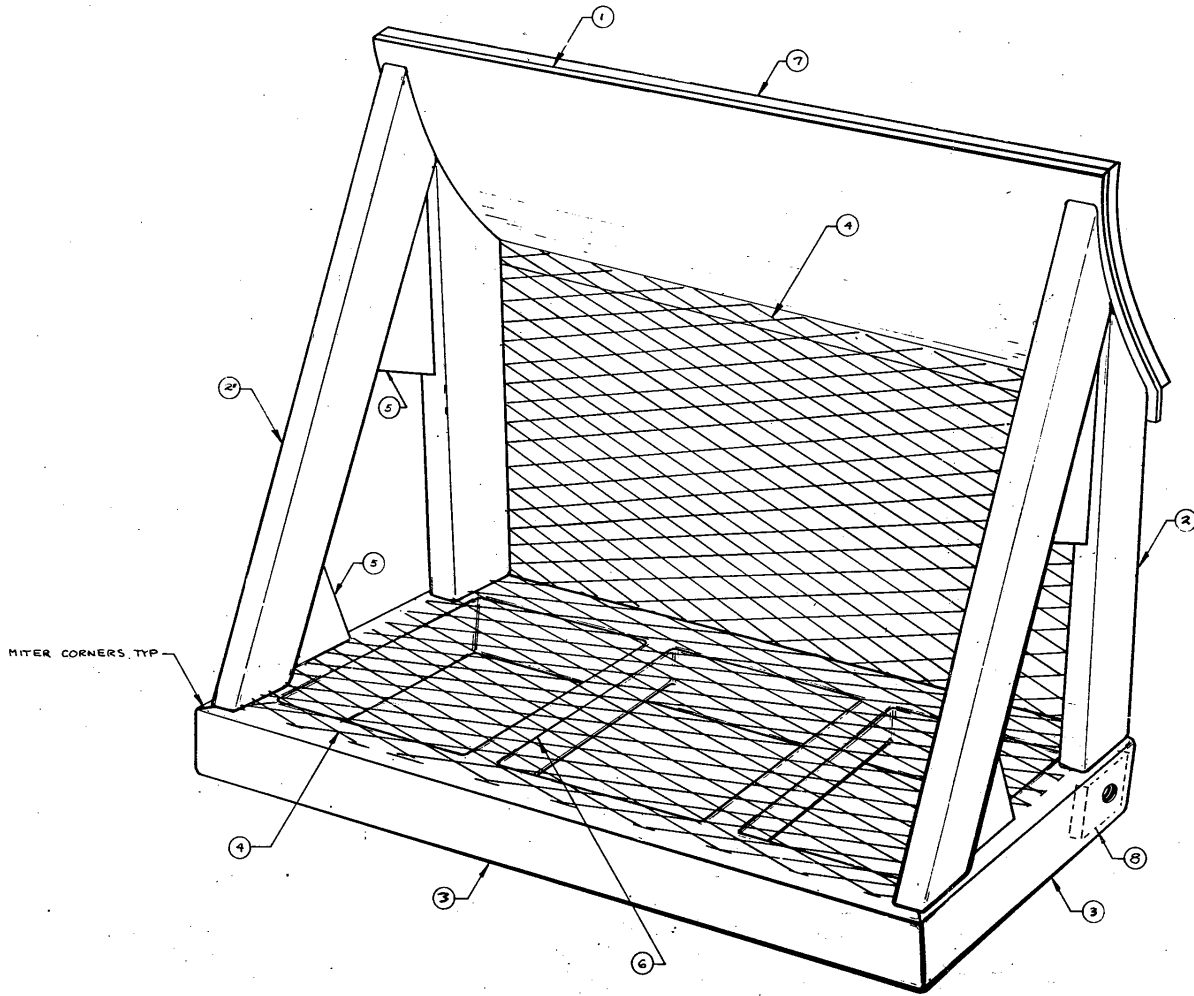
UNIVERSAL ACCESSORIES

MEDC-759- Stepbasket (universal), Smokejumper Aircraft

MEDC-794- Universal Step Strut

8 7 6 5 4 3 2 1

MATERIALS LIST			
NO	PART NAME	QTY	MATERIAL-DESCRIPTION
1	MOUNTING PLATE	1	1/8 X 5 X 18 1/2 LG 1020 HR STL STRIP
2	SIDE FRAME	4	1/2 X 1 X .045 WALL A513 STEEL RECT. TUBE
3	BOTTOM FRAME	6	1 SQUARE X .049 WALL A513 STL TUBING
4	GRATING	2	1/4 NO 13P STL FLATTENED EXPANDED METAL
5	WEBS	4	1/8 THICK 1020 HR STEEL STRIP
6	CROSS FRAME	2	3/8 SQUARE X .049 WALL A513 ST TUBE
7	PAD	1	RUBBER AS REQUIRED
8	PLAT	2	1/4 X 3/8 X 1 1/2 1020 HR PLAT STEEL



ZINC CHROMATE PRIME AND PAINT

This is a REDUCED PRINT.

UNLESS OTHERWISE SPECIFIED	DATE	REVISION	BY
TOLERANCES: FRACTIONS ± DECIMALS ± ANGLES ±	U.S. DEPT. OF AGRICULTURE FOREST SERVICE EQUIPMENT DEVELOPMENT CENTER MISSOULA, MONTANA		
DRAWN LASSILA	TITLE STEP BASKET (UNIVERSAL), SMOKEJUMPER AIRCRAFT		
DESIGNED DAL JGT	SCALE NONE		
CHECKED DAP	DATE AUG 1985		
APPROVED DAP	SHEET 1 OF 2		
SCALE NONE	MEDC-759		

8 7 6 5 4 3 2 1

8

7

6

5

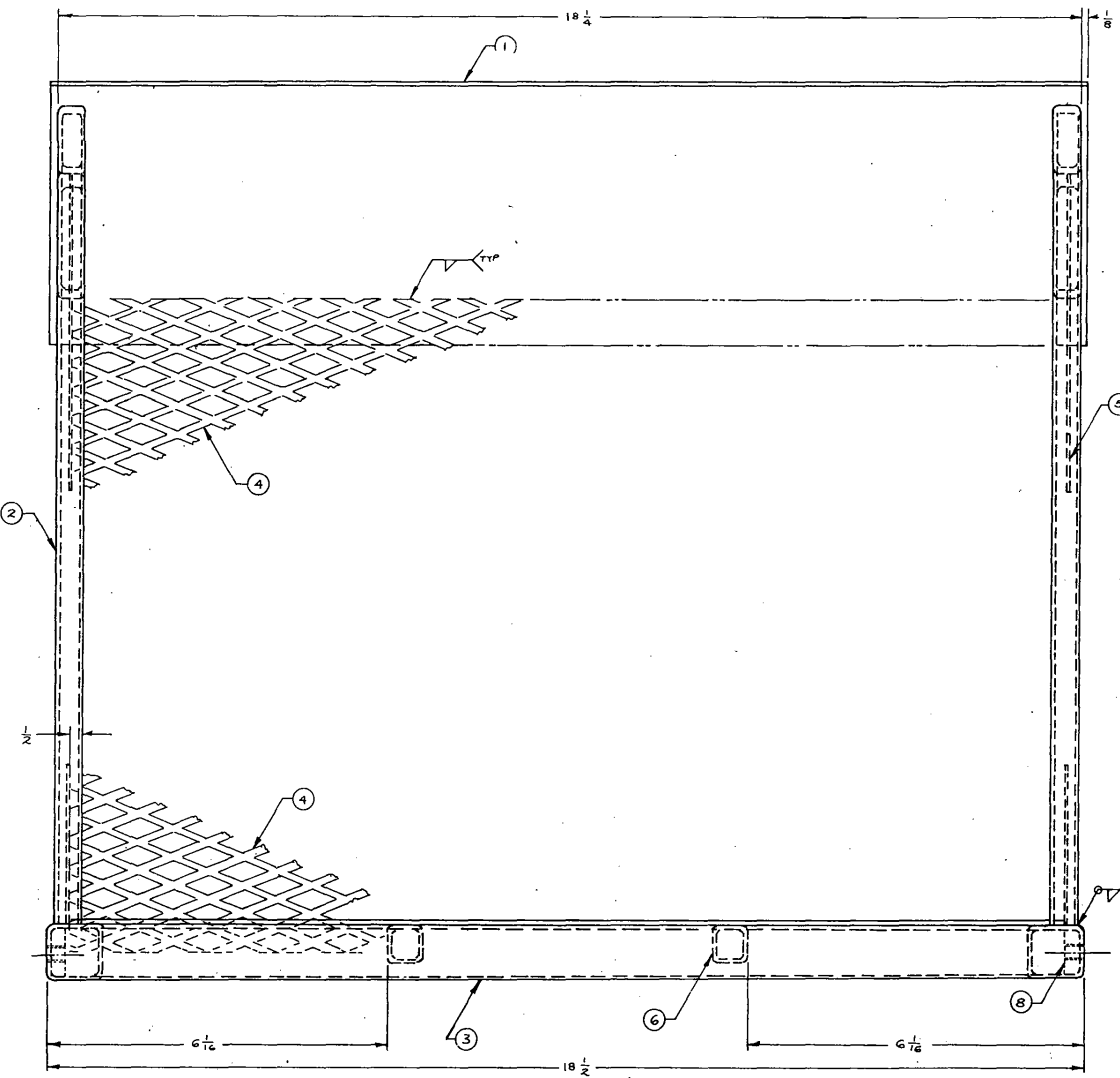
4

3

2

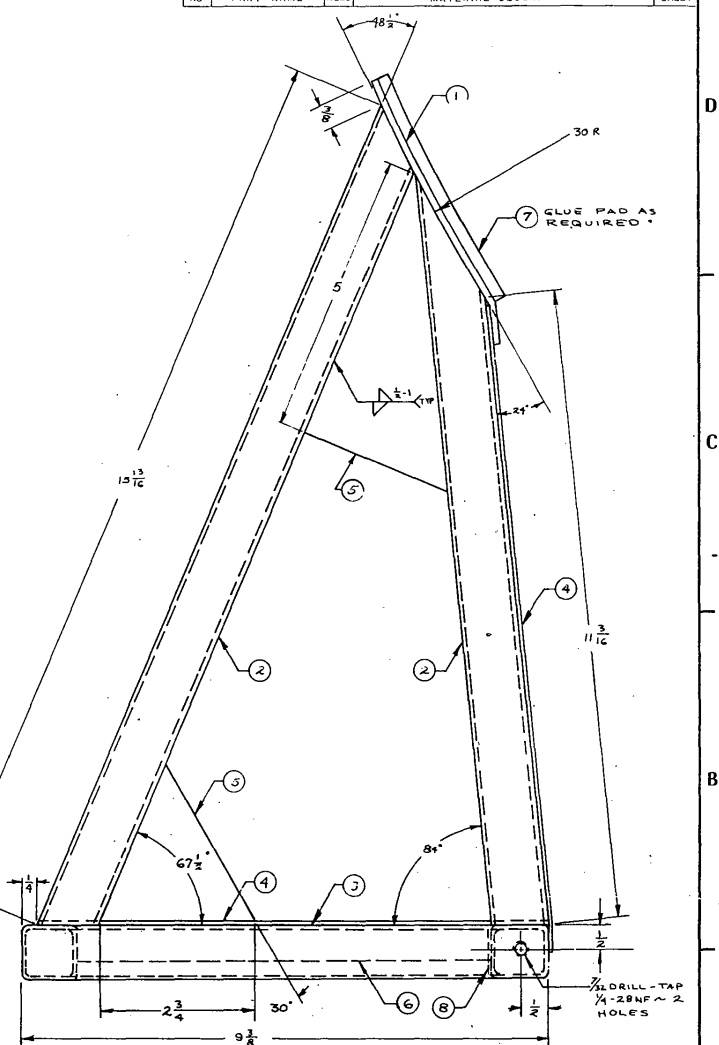
1

MATERIALS LIST			
NO	PART NAME	REQD	MATERIAL DESCRIPTION



STEP

This is a REDUCED PRINT.



UNLESS OTHERWISE SPECIFIED	DATE	REVISION	BY
TOLERANCES FRACTIONS 2 ¹ / ₁₆ DECIMALS 2 ¹ / ₁₀₀ ANGLES 2 ¹ / ₁₆			
DIMENSIONS ARE IN INCHES SHARP CORNERS			
DRAWN LASSILA	TITLE		
DESIGNED DA JGT	U.S. DEPT. OF AGRICULTURE FOREST SERVICE EQUIPMENT DEVELOPMENT CENTER MISSOULA, MONTANA		
CHECKED DAP	STEP BASKET (UNIVERSAL), SMOKEJUMPER AIRCRAFT		
APPROVED DAP			
SCALE FULL			
DATE AUG 1985	SHEET 2 OF 2	MEDC-759	

8

7

6

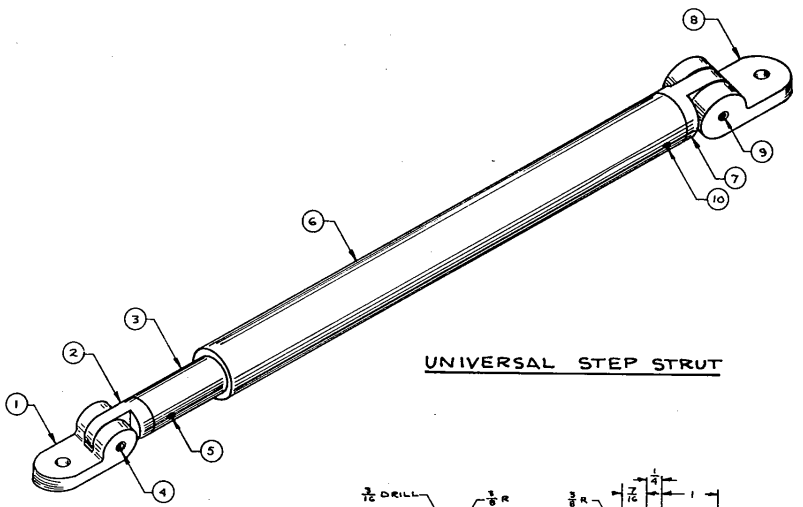
5

4

3

2

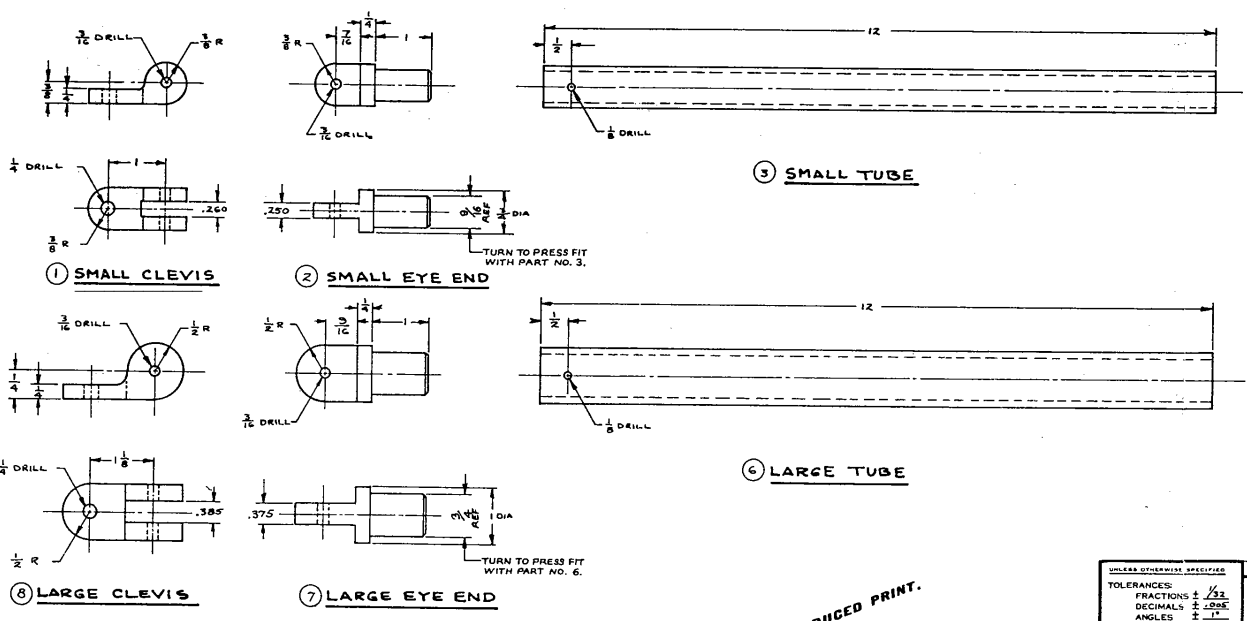
1



UNIVERSAL STEP STRUT

MATERIALS LIST				
NO	PART NAME	REQD	MATERIAL-DESCRIPTION	SHEET
1	SMALL CLEVIS	2	3/4 SQ 6061-T6 ALUM ALLOY	
2	SMALL EYE END	2	3/16 ROUND 6061-T6 ALUM ALLOY	
3	SMALL TUBE	2	3/4 OD X .035 WALL 2024-T3 ALUM DRAWN TUBE	
4	PIN	2	7/16 DIA X 3/16 ROLL OR SPRING PIN	
5	PIN	2	7/16 DIA X 1/2 ROLL OR SPRING PIN	
6	LG TUBE	2	1.00 X .126 WALL 2024-T3 ALUM DRAWN TUBE	
7	LG EYE END	2	1.00 ROUND 6061-T6 ALUM ALLOY	
8	LG CLEVIS	2	1 SQ 6061-T6 ALUM ALLOY	
9	PIN	2	7/16 DIA X 1/2 ROLL OR SPRING PIN	
10	PIN	2	7/8 DIA X 1/2 ROLL OR SPRING PIN	

NOTE:
THE LENGTH OF TUBES (PART NO. 3, PART NO. 6) MAY NEED TO BE SHORTENED FOR SOME AIRCRAFT INSTALLATIONS.



This is a REDUCED PRINT.

UNLESS OTHERWISE SPECIFIED	DATE	REVISION	BY
TOLERANCES: FRACTIONS ± 1/32 DECIMALS ± .0005 ANGLES ± 1'			
U.S. DEPT. OF AGRICULTURE FOREST SERVICE EQUIPMENT DEVELOPMENT CENTER MISSOULA, MONTANA			
DRAWN LASSILA	TITLE		
DESIGNED LASSILA	UNIVERSAL STEP STRUT		
CHECKED			
APPROVED			
SCALE FULL			
DATE JULY 1987	SHEET 1 OF 1	MEDC-794	

8

7

6

5

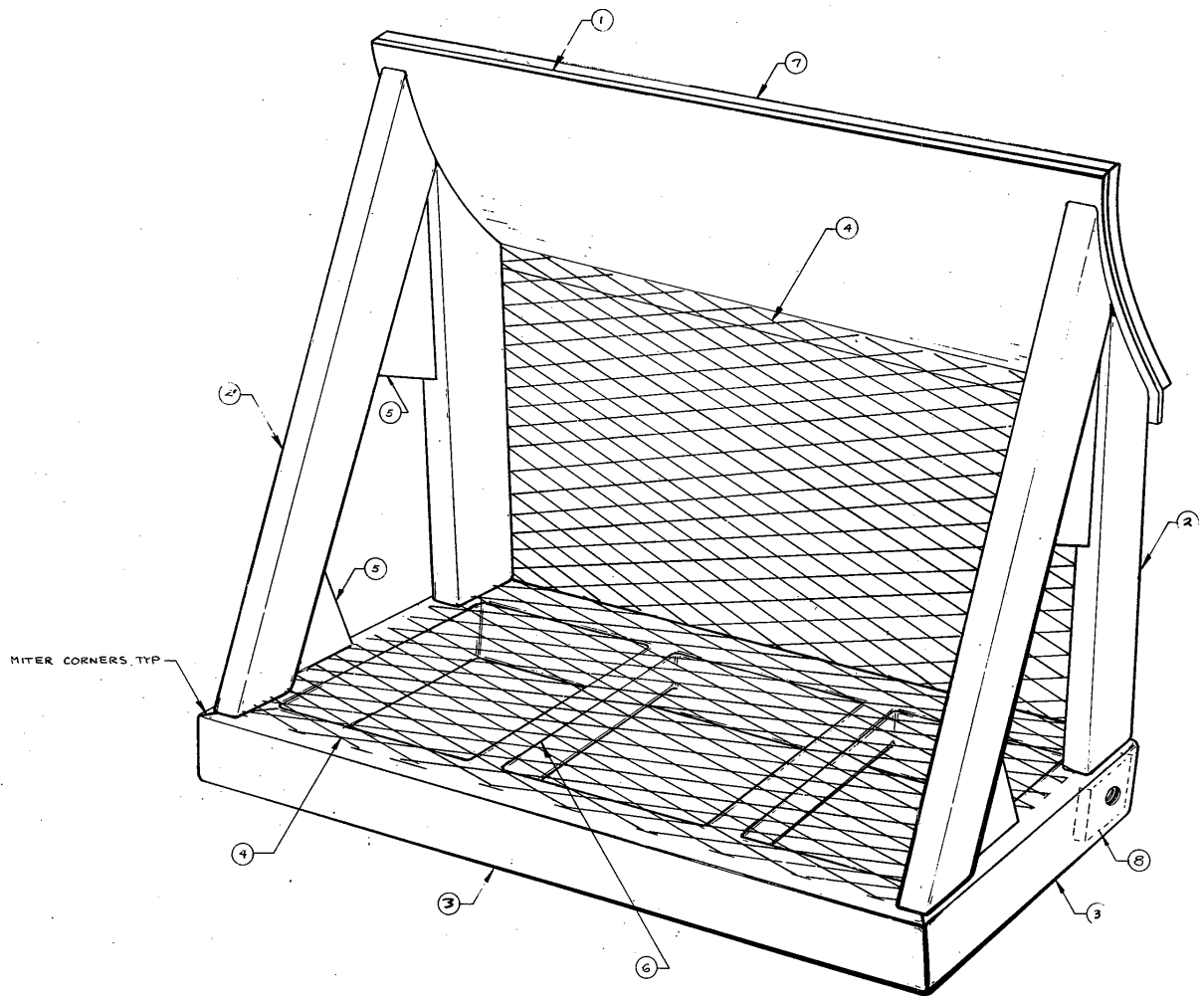
4

3

2

1

MATERIALS LIST			
NO	PART NAME	QTY	MATERIAL-DESCRIPTION
1	MOUNTING PLATE	1	3/8 X 5 X 18 1/2 LG 1020 HR STL STRIP
2	SIDE FRAME	4	1/2 X 1 X .049 WALL A513 STEEL RECT. TUBE
3	BOTTOM FRAME	6	1 SQUARE X .049 WALL A513 STL TUBING
4	GRATING	2	1/2 NO 13F STL FLATTENED EXPANDED METAL
5	WEBS	4	1/8 THICK 1020 HR STEEL STRIP
6	CROSS FRAME	2	3/8 SQUARE X .049 WALL A513 ST TUBE
7	PAD	1	RUBBER AS REQUIRED
8	PLAT	2	1/4 X 1/2 X 1 LG 1020 HR FLAT STEEL



ZINC CHROMATE PRIME AND PAINT

This is a REDUCED PRINT.

UNLESS OTHERWISE SPECIFIED	DATE	REVISION	BY
TOLERANCES:	U.S. DEPT. OF AGRICULTURE		
FRACTIONS ±	FOREST SERVICE		
DECIMALS ±	EQUIPMENT DEVELOPMENT CENTER		
ANGLES ±	MISSOULA, MONTANA		
DIMENSIONS ARE IN INCHES	TITLE		
SHARP CORNERS	STEP BASKET (UNIVERSAL),		
DRAWN LASSILA	SMOKEJUMPER AIRCRAFT		
DESIGNED DAL JGT	SCALE NONE		
CHECKED DRP	DATE AUG 1985		
APPROVED DRP	SHEET 1 OF 2		MEDC-759

8

7

6

5

4

3

2

1

8

7

6

5

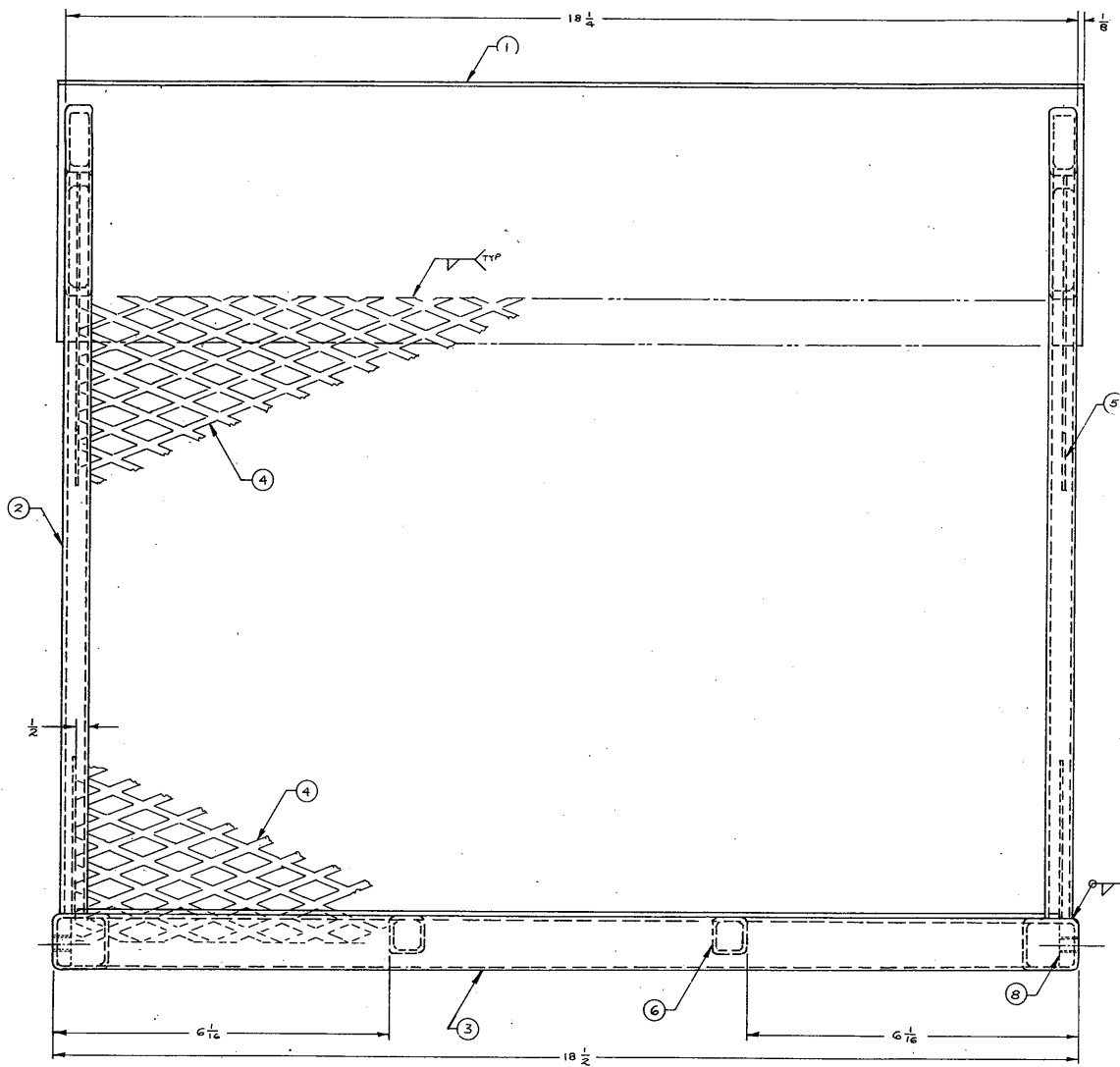
4

3

2

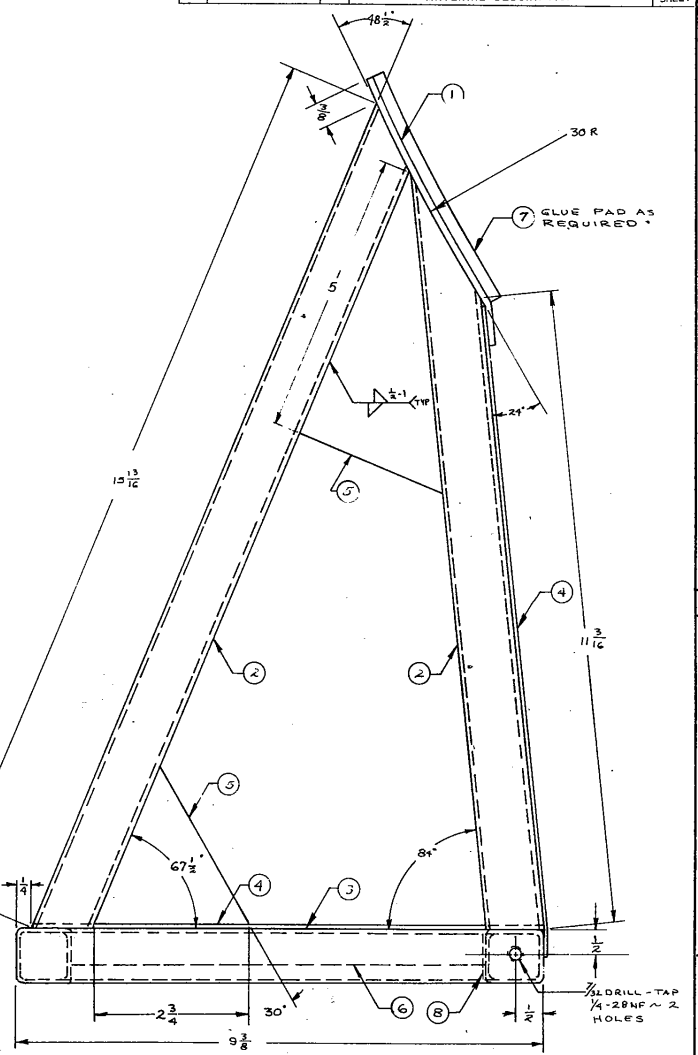
1

MATERIALS LIST			
NO	PART NAME	RECD	MATERIAL-DESCRIPTION



STEP

This is a REDUCED PRINT.



<small>UNLESS OTHERWISE SPECIFIED</small> TOLERANCES: FRACTIONS ± 1/16 DECIMALS ± 0.001 ANGLES ± 1/2° <small>UNLESS OTHERWISE SPECIFIED</small>		DATE	REVISION	BY
DRAWN LASSILA DESIGNED DA JGT CHECKED DRP APPROVED DRP SCALE FULL		U.S. DEPT. OF AGRICULTURE FOREST SERVICE EQUIPMENT DEVELOPMENT CENTER MISSOULA, MONTANA		
DATE AUG 1985		TITLE STEP BASKET (UNIVERSAL), SMOKEJUMPER AIRCRAFT		SHEET 2 OF 2
		MEDC-759		

8

7

6

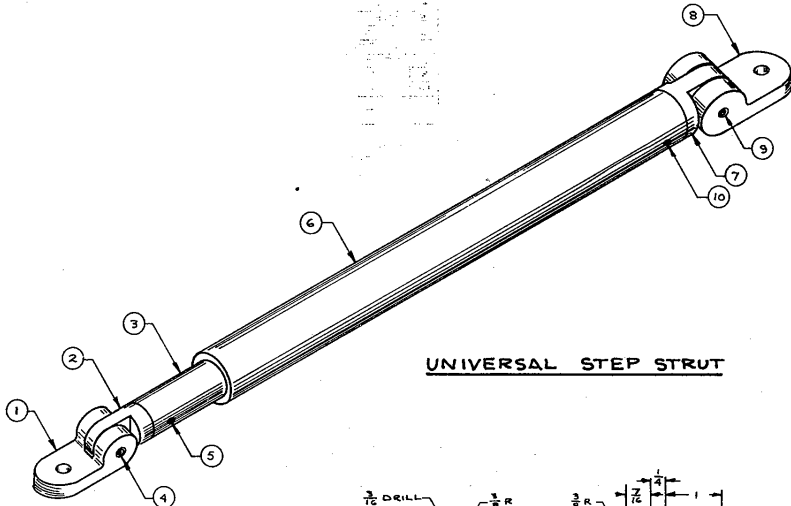
5

4

3

2

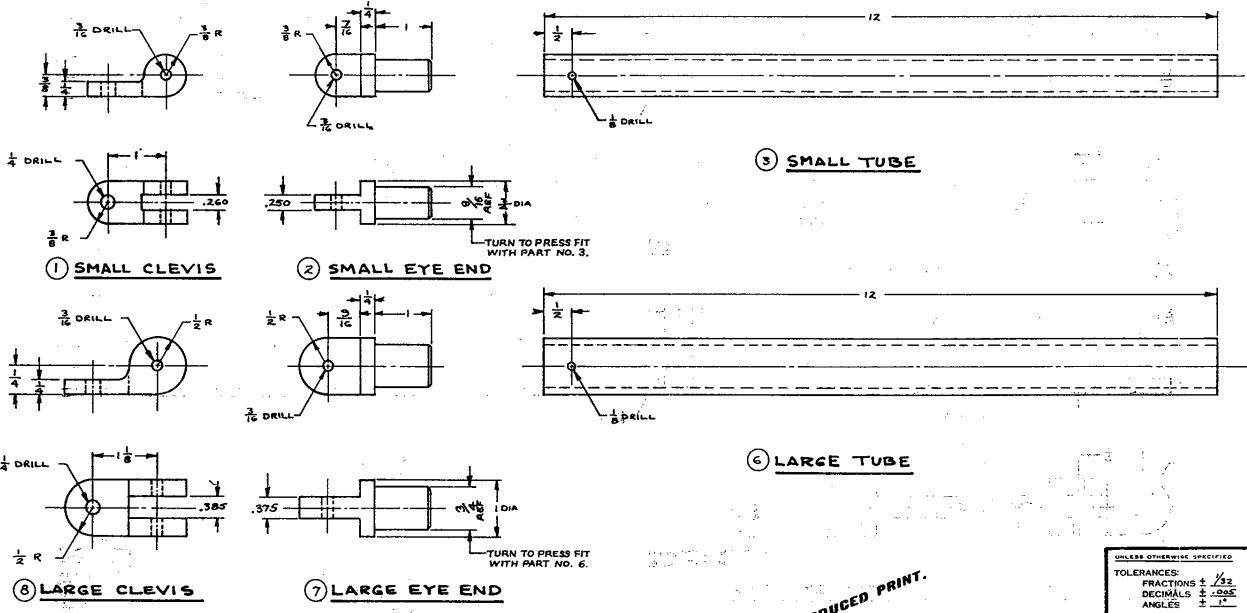
1



UNIVERSAL STEP STRUT

MATERIALS LIST			
NO	PART NAME	REQD	MATERIAL-DESCRIPTION
1	SMALL CLEVIS	2	3/4 50 6061-T6 ALUM ALLOY
2	SMALL EYE END	2	3/4 ROUND 6061-T6 ALUM ALLOY
3	SMALL TUBE	2	3/4 OD X .035 WALL 2024-T3 ALUM DRAWN TUBE
4	PIN	2	3/16 DIA X 3/4 LG ROLL OR SPRING PIN
5	PIN	2	1/8 DIA X 3/4 LG ROLL OR SPRING PIN
6	LG TUBE	2	1.00 X .120 WALL 2024-T3 ALUM DRAWN TUBE
7	LG EYE END	2	1.00 ROUND 6061-T6 ALUM ALLOY
8	LG CLEVIS	2	1.50 6061-T6 ALUM ALLOY
9	PIN	2	3/16 DIA X 1 LG ROLL OR SPRING PIN
10	PIN	2	1/8 DIA X 1 LG ROLL OR SPRING PIN

NOTE: THE LENGTH OF TUBES (PART NO. 3, PART NO. 6) MAY NEED TO BE SHORTENED FOR SOME AIRCRAFT INSTALLATIONS.



This is a REDUCED PRINT.

UNLESS OTHERWISE SPECIFIED	DATE	REVISION	BY
TOLERANCES: FRACTIONS ± $\frac{.005}{32}$ DECIMALS ± $\frac{.005}{1000}$ ANGLES ± $\frac{.005}{16}$	U.S. DEPT. OF AGRICULTURE FOREST SERVICE EQUIPMENT DEVELOPMENT CENTER MISSOULA, MONTANA		
DIMENSIONS ARE IN INCHES BREAK SHARP EDGES			
DRAWN LASSILA	TITLE		
DESIGNED LASSILA	UNIVERSAL STEP STRUT		
CHECKED			
APPROVED			
SCALE FULL			
DATE	JULY 1987	SHEET 1 OF 1	MEDC-794