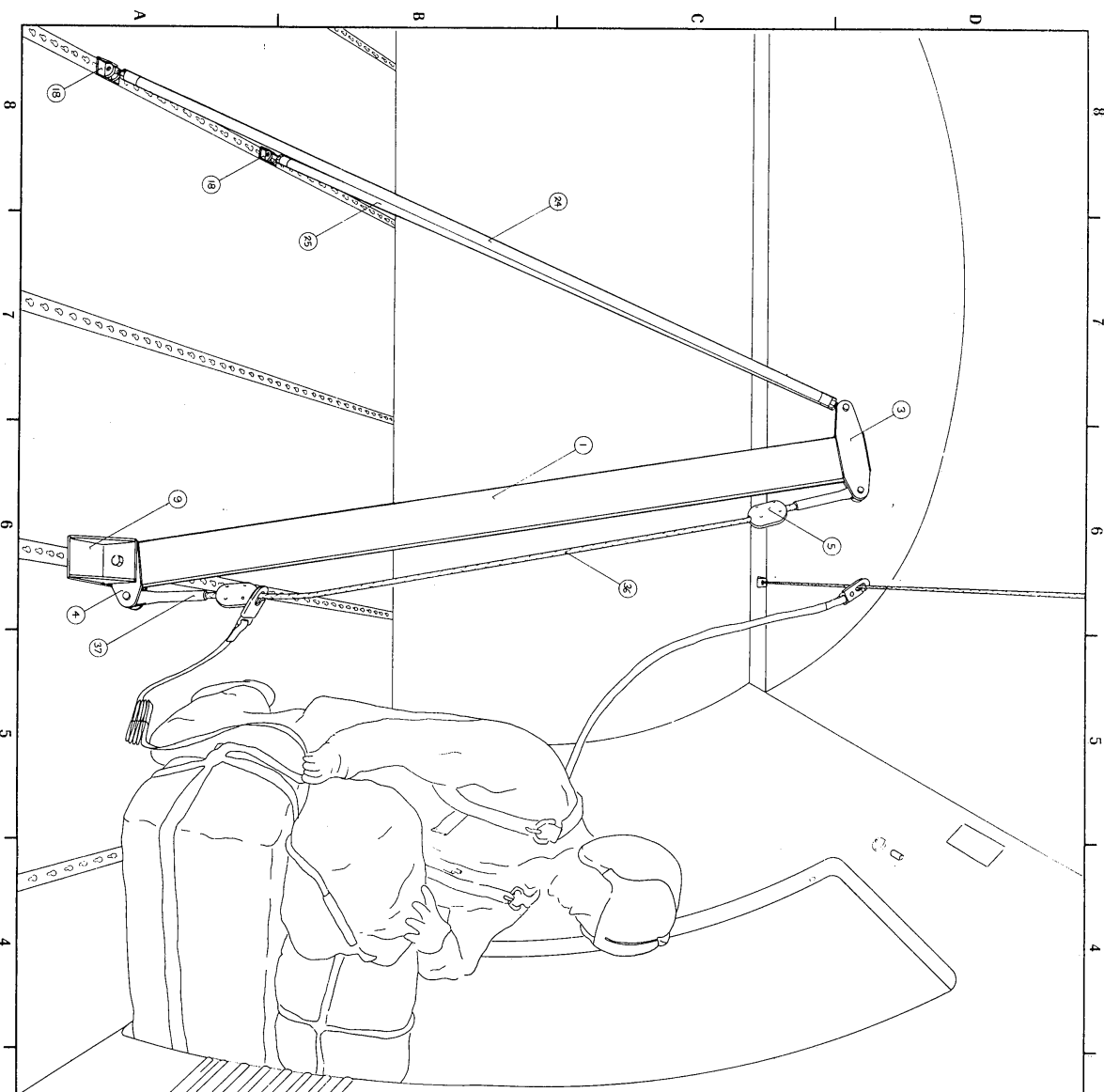


ARGOSY



10
SHEET

MATERIALS LIST

QTY	PART NAME	REF.	MATERIAL DESCRIPTION	SHEET
1	ANCHOR	1	ANCHOR	1
1	ADJUSTABLE	2	ADJUSTABLE	2
1	STOP ASSEMBLY	3	STOP ASSEMBLY	3
1	ROPE ASSEMBLY	4	ROPE ASSEMBLY	4
1	ROPE ASSEMBLY	5	ROPE ASSEMBLY	5
1	ROPE ASSEMBLY	6	ROPE ASSEMBLY	6
1	ROPE ASSEMBLY	7	ROPE ASSEMBLY	7
1	ROPE ASSEMBLY	8	ROPE ASSEMBLY	8
1	ROPE ASSEMBLY	9	ROPE ASSEMBLY	9
1	ROPE ASSEMBLY	10	ROPE ASSEMBLY	10
1	ROPE ASSEMBLY	11	ROPE ASSEMBLY	11
1	ROPE ASSEMBLY	12	ROPE ASSEMBLY	12
1	ROPE ASSEMBLY	13	ROPE ASSEMBLY	13
1	ROPE ASSEMBLY	14	ROPE ASSEMBLY	14
1	ROPE ASSEMBLY	15	ROPE ASSEMBLY	15
1	ROPE ASSEMBLY	16	ROPE ASSEMBLY	16
1	ROPE ASSEMBLY	17	ROPE ASSEMBLY	17
1	ROPE ASSEMBLY	18	ROPE ASSEMBLY	18
1	ROPE ASSEMBLY	19	ROPE ASSEMBLY	19
1	ROPE ASSEMBLY	20	ROPE ASSEMBLY	20
1	ROPE ASSEMBLY	21	ROPE ASSEMBLY	21
1	ROPE ASSEMBLY	22	ROPE ASSEMBLY	22
1	ROPE ASSEMBLY	23	ROPE ASSEMBLY	23
1	ROPE ASSEMBLY	24	ROPE ASSEMBLY	24
1	ROPE ASSEMBLY	25	ROPE ASSEMBLY	25
1	ROPE ASSEMBLY	26	ROPE ASSEMBLY	26
1	ROPE ASSEMBLY	27	ROPE ASSEMBLY	27
1	ROPE ASSEMBLY	28	ROPE ASSEMBLY	28
1	ROPE ASSEMBLY	29	ROPE ASSEMBLY	29
1	ROPE ASSEMBLY	30	ROPE ASSEMBLY	30
1	ROPE ASSEMBLY	31	ROPE ASSEMBLY	31
1	ROPE ASSEMBLY	32	ROPE ASSEMBLY	32
1	ROPE ASSEMBLY	33	ROPE ASSEMBLY	33
1	ROPE ASSEMBLY	34	ROPE ASSEMBLY	34
1	ROPE ASSEMBLY	35	ROPE ASSEMBLY	35
1	ROPE ASSEMBLY	36	ROPE ASSEMBLY	36
1	ROPE ASSEMBLY	37	ROPE ASSEMBLY	37



ARGOSY VERTICAL ANCHOR
CABLE - SIDE DOOR EXIT

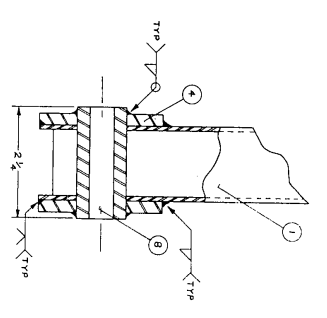
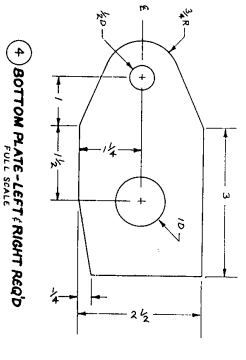
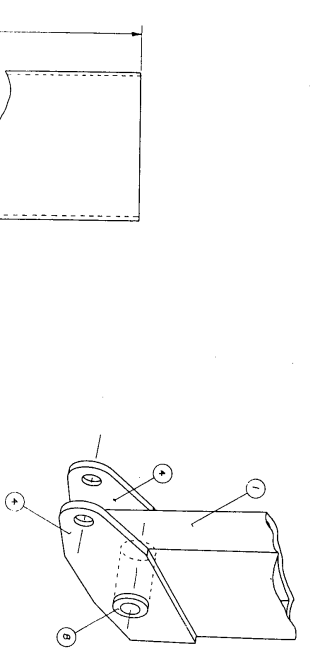
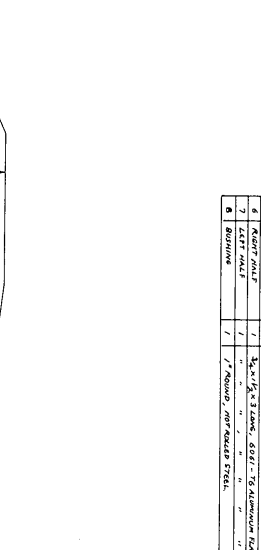
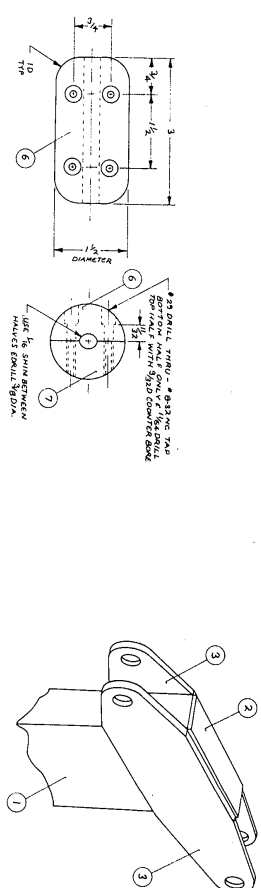
THIS IS A REDUCED PRINT.

3000-10-10-10 10-10-10-10	DATE	REVISION	BY
U.S. DEPT. OF AGRICULTURE FOREST SERVICE EQUIPMENT DEVELOPMENT CENTER MISSOURI, MISSOURI			
TITLE	H-S-ARGOSY 650 PRIMARY VERTICAL STATIC LINE ANCHOR		
SCALE	MED-C-778		
DATE	SHEET 1 OF 4		

8 7 6 5 4 3 2 1

MATERIALS LIST

NO.	PART NAME	QTY	MATERIAL DESCRIPTION
1	UPRIGHT	1	1/2" X 3/4" X 1/4" GALVANNEED STEEL
2	TOP PLATE	1	1/2" X 3/4" X 1/4" GALVANNEED STEEL
3	BOTTOM PLATE	1	1/2" X 3/4" X 1/4" GALVANNEED STEEL
4	STOP ASSEMBLY	1	1/2" X 3/4" X 1/4" GALVANNEED STEEL
5	LEFT HALF	1	1/2" X 3/4" X 1/4" GALVANNEED STEEL
6	RIGHT HALF	1	1/2" X 3/4" X 1/4" GALVANNEED STEEL
7	ROBING	1	1" ROUND, HOT ROLLED STEEL



NO.	REVISION	DATE	BY
1			

DESIGNER: K. J. HARRIS
CHECKED: J. L. HARRIS
DATE: 4-86

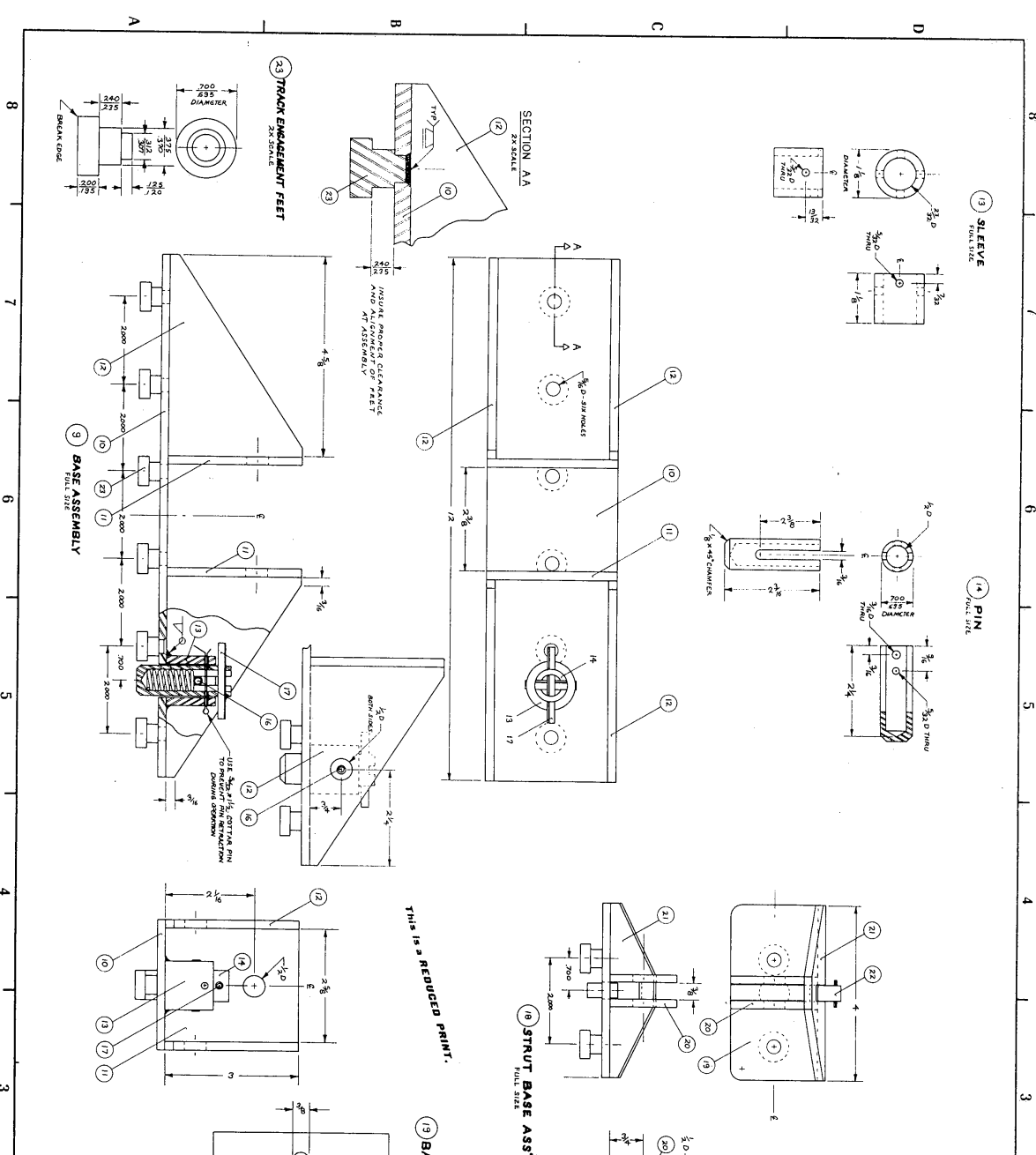
TITLE: H-S AR805Y 680
PRIMARY VERTICAL STATIC LINE ANCHOR

SCALE: FULL ENVELOPE

SHEET: 2 OF 4

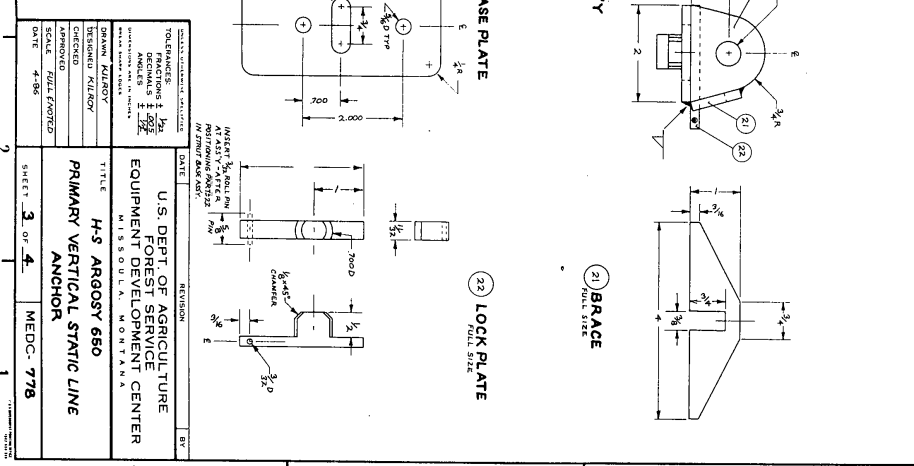
MECC-778

A B C D



MATERIALS LIST

NO.	PART NAME	QTY	MATERIAL DESCRIPTION
1	BASE ASSEMBLY	1	ASSEMBLY
2	BRACKET	2	1/2" X 1/2" X 1/2" ROLLED STEEL
3	QUILLET	4	1/2" X 1/2" X 1/2" ROLLED STEEL
4	SLAVE	1	1/2" X 1/2" X 1/2" ROLLED STEEL
5	SLAVE	1	1/2" X 1/2" X 1/2" ROLLED STEEL
6	ROCK PIN	1	1/2" X 1/2" X 1/2" ROLLED STEEL
7	STRUT BASE ASSY	1	1/2" X 1/2" X 1/2" ROLLED STEEL
8	STRUT BASE ASSY	1	1/2" X 1/2" X 1/2" ROLLED STEEL
9	QUILLET	2	1/2" X 1/2" X 1/2" ROLLED STEEL
10	QUILLET	2	1/2" X 1/2" X 1/2" ROLLED STEEL
11	QUILLET	2	1/2" X 1/2" X 1/2" ROLLED STEEL
12	QUILLET	2	1/2" X 1/2" X 1/2" ROLLED STEEL
13	QUILLET	2	1/2" X 1/2" X 1/2" ROLLED STEEL
14	PIN	1	3/8" DIA. X 2" LONG
15	PIN	1	3/8" DIA. X 2" LONG
16	SLAVE	1	1/2" X 1/2" X 1/2" ROLLED STEEL
17	SLAVE	1	1/2" X 1/2" X 1/2" ROLLED STEEL
18	SLAVE	1	1/2" X 1/2" X 1/2" ROLLED STEEL
19	SLAVE	1	1/2" X 1/2" X 1/2" ROLLED STEEL
20	QUILLET	2	1/2" X 1/2" X 1/2" ROLLED STEEL
21	BRACE	1	3/4" X 3/4" X 1/2" ROLLED STEEL
22	LOCK PLATE	1	1/2" X 1/2" X 1/2" ROLLED STEEL
23	TRACK ENGAGEMENT FEET	10	3/4" X 3/4" X 1/2" ROLLED STEEL



U.S. DEPT. OF AGRICULTURE
 FOREST SERVICE
 EQUIPMENT DEVELOPMENT CENTER
 MISSOULA, MONTANA

TITLE: H-5 ARGOSY 660
 PRIMARY VERTICAL STATIC LINE ANCHOR

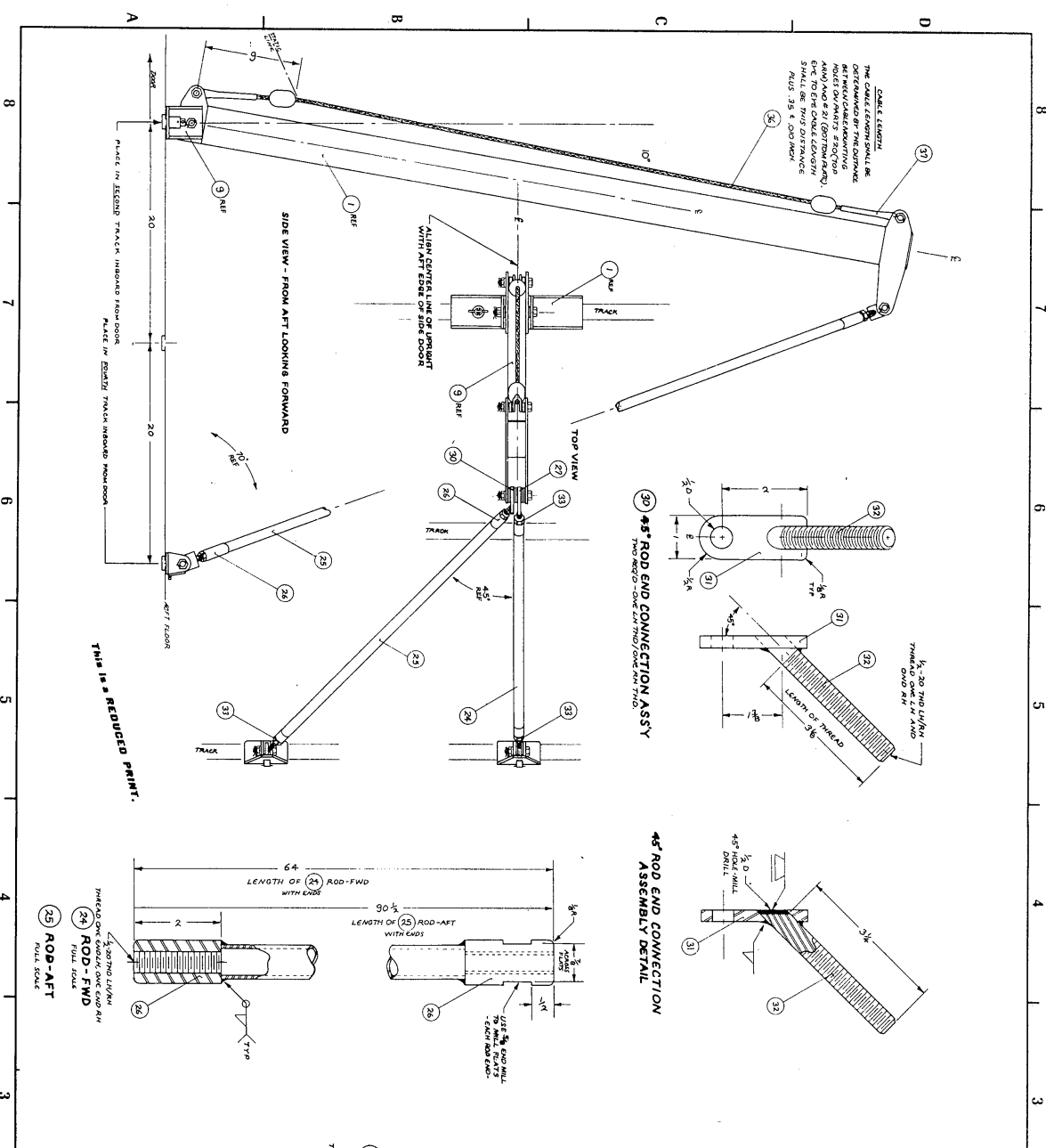
DESIGNED BY: GIBSON KIRBY
 DRAWN BY: GIBSON KIRBY
 CHECKED BY: GIBSON KIRBY
 APPROVED BY: GIBSON KIRBY

SCALE: FULL SIZE
 DATE: 4-78

REVISIONS: 1. DATE: 4-78 BY: GIBSON KIRBY
 2. DATE: 4-78 BY: GIBSON KIRBY

OPERATIONAL INSTRUCTIONS:
 1. ASSEMBLY SHALL BE MADE IN ACCORDANCE WITH THE DRAWINGS AND THIS INSTRUCTIONS.
 2. THE ANCHOR SHALL BE USED TO SECURE THE STATIC LINE TO THE ROCK.
 3. THE ANCHOR SHALL BE USED TO SECURE THE STATIC LINE TO THE ROCK.
 4. THE ANCHOR SHALL BE USED TO SECURE THE STATIC LINE TO THE ROCK.

FIGURE NO. 1
 SHEET 3 OF 4
 MEDC-778



MATERIALS LIST		REVISION	
NO	PART NAME	NO	DATE
25	ROD-AFT	1	10/15/50
26	ROD-FWD	1	10/15/50
27	ROD END CONNECTION ASSEMBLY	1	10/15/50
28	ROD-AFT	1	10/15/50
29	ROD-FWD	1	10/15/50
30	ROD END CONNECTION ASSEMBLY	1	10/15/50
31	ROD-AFT	1	10/15/50
32	ROD-FWD	1	10/15/50
33	ROD END CONNECTION ASSEMBLY	1	10/15/50
34	ROD-AFT	1	10/15/50
35	ROD-FWD	1	10/15/50
36	ROD END CONNECTION ASSEMBLY	1	10/15/50
37	ROD-AFT	1	10/15/50
38	ROD-FWD	1	10/15/50
39	ROD END CONNECTION ASSEMBLY	1	10/15/50
40	ROD-AFT	1	10/15/50
41	ROD-FWD	1	10/15/50
42	ROD END CONNECTION ASSEMBLY	1	10/15/50
43	ROD-AFT	1	10/15/50
44	ROD-FWD	1	10/15/50
45	ROD END CONNECTION ASSEMBLY	1	10/15/50
46	ROD-AFT	1	10/15/50
47	ROD-FWD	1	10/15/50
48	ROD END CONNECTION ASSEMBLY	1	10/15/50
49	ROD-AFT	1	10/15/50
50	ROD-FWD	1	10/15/50
51	ROD END CONNECTION ASSEMBLY	1	10/15/50
52	ROD-AFT	1	10/15/50
53	ROD-FWD	1	10/15/50
54	ROD END CONNECTION ASSEMBLY	1	10/15/50
55	ROD-AFT	1	10/15/50
56	ROD-FWD	1	10/15/50
57	ROD END CONNECTION ASSEMBLY	1	10/15/50
58	ROD-AFT	1	10/15/50
59	ROD-FWD	1	10/15/50
60	ROD END CONNECTION ASSEMBLY	1	10/15/50
61	ROD-AFT	1	10/15/50
62	ROD-FWD	1	10/15/50
63	ROD END CONNECTION ASSEMBLY	1	10/15/50
64	ROD-AFT	1	10/15/50
65	ROD-FWD	1	10/15/50
66	ROD END CONNECTION ASSEMBLY	1	10/15/50
67	ROD-AFT	1	10/15/50
68	ROD-FWD	1	10/15/50
69	ROD END CONNECTION ASSEMBLY	1	10/15/50
70	ROD-AFT	1	10/15/50
71	ROD-FWD	1	10/15/50
72	ROD END CONNECTION ASSEMBLY	1	10/15/50
73	ROD-AFT	1	10/15/50
74	ROD-FWD	1	10/15/50
75	ROD END CONNECTION ASSEMBLY	1	10/15/50
76	ROD-AFT	1	10/15/50
77	ROD-FWD	1	10/15/50
78	ROD END CONNECTION ASSEMBLY	1	10/15/50
79	ROD-AFT	1	10/15/50
80	ROD-FWD	1	10/15/50
81	ROD END CONNECTION ASSEMBLY	1	10/15/50
82	ROD-AFT	1	10/15/50
83	ROD-FWD	1	10/15/50
84	ROD END CONNECTION ASSEMBLY	1	10/15/50
85	ROD-AFT	1	10/15/50
86	ROD-FWD	1	10/15/50
87	ROD END CONNECTION ASSEMBLY	1	10/15/50
88	ROD-AFT	1	10/15/50
89	ROD-FWD	1	10/15/50
90	ROD END CONNECTION ASSEMBLY	1	10/15/50
91	ROD-AFT	1	10/15/50
92	ROD-FWD	1	10/15/50
93	ROD END CONNECTION ASSEMBLY	1	10/15/50
94	ROD-AFT	1	10/15/50
95	ROD-FWD	1	10/15/50
96	ROD END CONNECTION ASSEMBLY	1	10/15/50
97	ROD-AFT	1	10/15/50
98	ROD-FWD	1	10/15/50
99	ROD END CONNECTION ASSEMBLY	1	10/15/50
100	ROD-AFT	1	10/15/50

U.S. DEPT. OF AGRICULTURE
 FOREST SERVICE
 EQUIPMENT DEVELOPMENT CENTER
 H-S ARGOSEY 650
 PRIMARY VERTICAL STATIC LINE ANCHOR
 SCALE: FULL SIZE
 DATE: 4-56
 SHEET 4 OF 4
 MEDC-778